



SOUNDWELL®

http://soundwell-cn.com

RC10 Series POTENTIOMETER



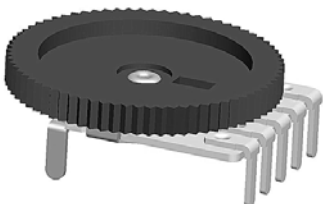
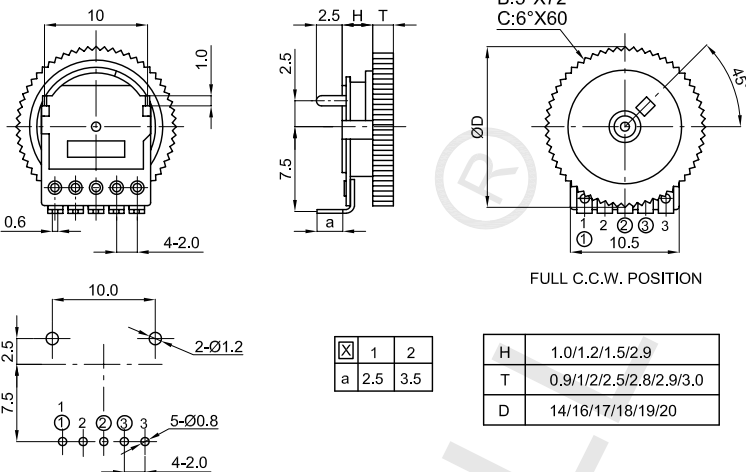
企业微信，扫码有惊喜



升威官网，发现更多产品

MODEL 品名	DIMENSIONS 尺寸	UNIT:mm
----------	---------------	---------

RC1001GAX0A-HA

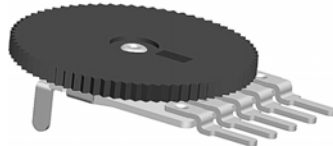
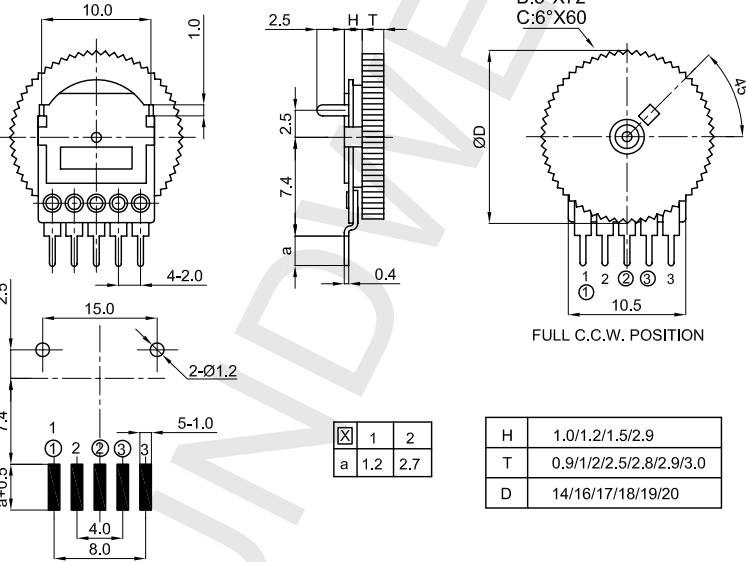



P.C.B. MOUNTING HOLES DETAIL

<input checked="" type="checkbox"/>	1	2
a	2.5	3.5

H	1.0/1.2/1.5/2.9
T	0.9/1/2/2.5/2.8/2.9/3.0
D	14/16/17/18/19/20

RC1001GAX0A-VA

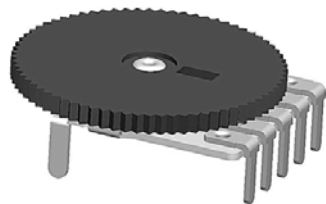
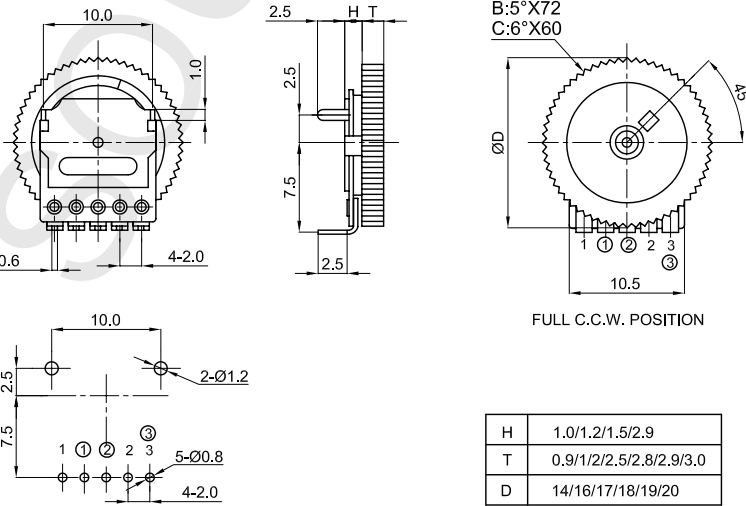



P.C.B. MOUNTING HOLE DETAIL

<input checked="" type="checkbox"/>	1	2
a	1.2	2.7

H	1.0/1.2/1.5/2.9
T	0.9/1/2/2.5/2.8/2.9/3.0
D	14/16/17/18/19/20

RC1001GBX0A-HA6

P.C.B. MOUNTING HOLES DETAIL

H	1.0/1.2/1.5/2.9
T	0.9/1/2/2.5/2.8/2.9/3.0
D	14/16/17/18/19/20



SOUNDWELL®

http://soundwell-cn.com

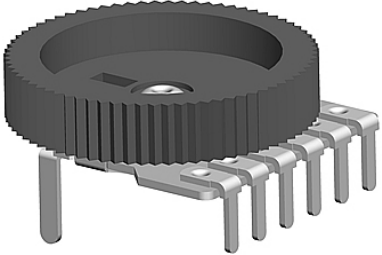
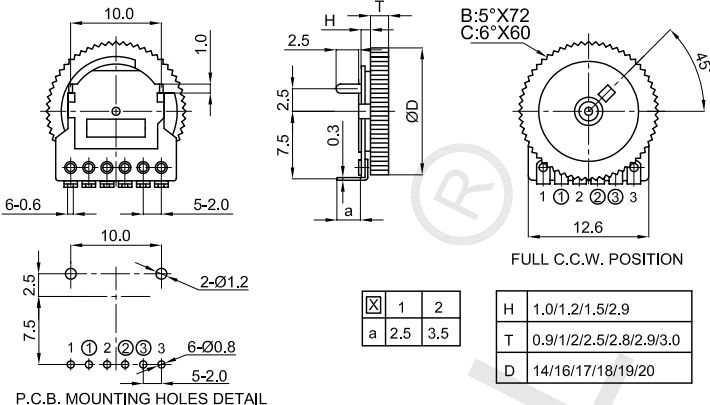
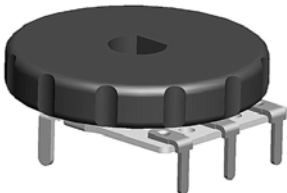
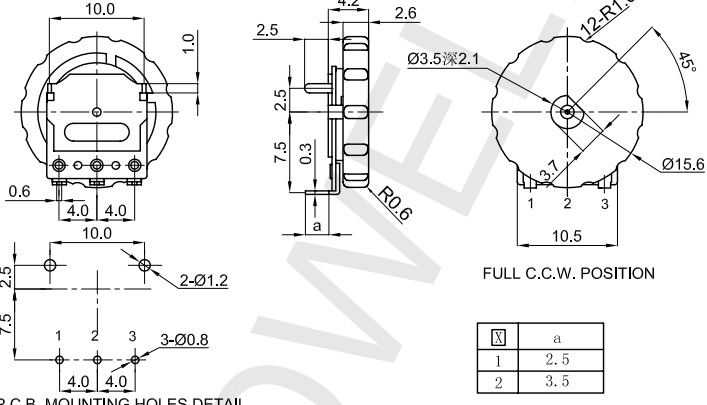
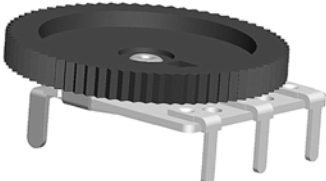
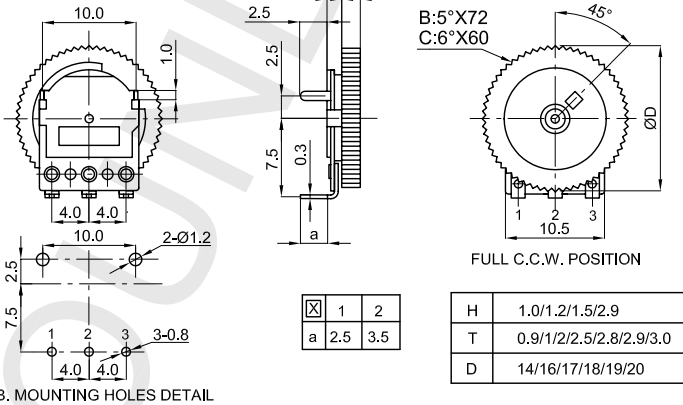
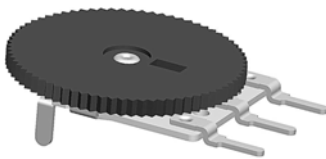
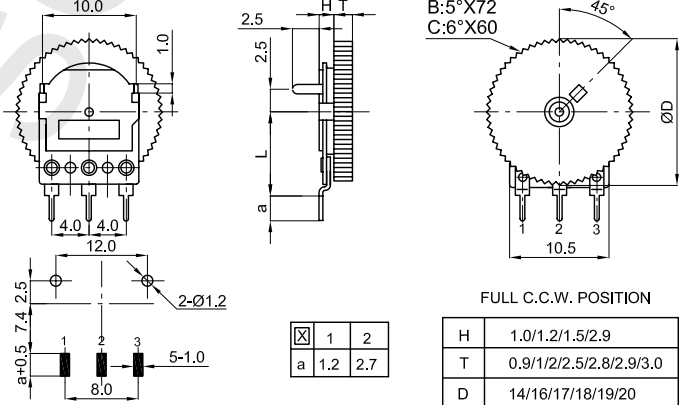
RC10 Series POTENTIOMETER



企业微信，扫码有惊喜



升威官网，发现更多产品

MODEL 品名	DIMENSIONS 尺寸	UNIT:mm												
<p>RC1001GOX0A-HA <input type="checkbox"/></p> 	 <p>P.C.B. MOUNTING HOLES DETAIL</p> <table border="1" data-bbox="1034 667 1129 723"> <tr><td><input checked="" type="checkbox"/></td><td>1</td><td>2</td></tr> <tr><td>a</td><td>2.5</td><td>3.5</td></tr> </table> <table border="1" data-bbox="1166 667 1366 757"> <tr><td>H</td><td>1.0/1.2/1.5/2.9</td></tr> <tr><td>T</td><td>0.9/1/2/2.5/2.8/2.9/3.0</td></tr> <tr><td>D</td><td>14/16/17/18/19/20</td></tr> </table>	<input checked="" type="checkbox"/>	1	2	a	2.5	3.5	H	1.0/1.2/1.5/2.9	T	0.9/1/2/2.5/2.8/2.9/3.0	D	14/16/17/18/19/20	
<input checked="" type="checkbox"/>	1	2												
a	2.5	3.5												
H	1.0/1.2/1.5/2.9													
T	0.9/1/2/2.5/2.8/2.9/3.0													
D	14/16/17/18/19/20													
<p>RC1001NOX0A-HA <input type="checkbox"/></p> 	 <p>P.C.B. MOUNTING HOLES DETAIL</p> <table border="1" data-bbox="1166 1137 1294 1205"> <tr><td><input checked="" type="checkbox"/></td><td>a</td></tr> <tr><td>1</td><td>2.5</td></tr> <tr><td>2</td><td>3.5</td></tr> </table>	<input checked="" type="checkbox"/>	a	1	2.5	2	3.5							
<input checked="" type="checkbox"/>	a													
1	2.5													
2	3.5													
<p>RC1001NOX0A-HA <input type="checkbox"/></p> 	 <p>P.C.B. MOUNTING HOLES DETAIL</p> <table border="1" data-bbox="999 1552 1094 1608"> <tr><td><input checked="" type="checkbox"/></td><td>1</td><td>2</td></tr> <tr><td>a</td><td>2.5</td><td>3.5</td></tr> </table> <table border="1" data-bbox="1150 1552 1385 1641"> <tr><td>H</td><td>1.0/1.2/1.5/2.9</td></tr> <tr><td>T</td><td>0.9/1/2/2.5/2.8/2.9/3.0</td></tr> <tr><td>D</td><td>14/16/17/18/19/20</td></tr> </table>	<input checked="" type="checkbox"/>	1	2	a	2.5	3.5	H	1.0/1.2/1.5/2.9	T	0.9/1/2/2.5/2.8/2.9/3.0	D	14/16/17/18/19/20	
<input checked="" type="checkbox"/>	1	2												
a	2.5	3.5												
H	1.0/1.2/1.5/2.9													
T	0.9/1/2/2.5/2.8/2.9/3.0													
D	14/16/17/18/19/20													
<p>RC1001NOX0A-VA <input type="checkbox"/></p> 	 <p>P.C.B. MOUNTING HOLES DETAIL</p> <table border="1" data-bbox="986 2000 1082 2056"> <tr><td><input checked="" type="checkbox"/></td><td>1</td><td>2</td></tr> <tr><td>a</td><td>1.2</td><td>2.7</td></tr> </table> <table border="1" data-bbox="1142 2000 1377 2089"> <tr><td>H</td><td>1.0/1.2/1.5/2.9</td></tr> <tr><td>T</td><td>0.9/1/2/2.5/2.8/2.9/3.0</td></tr> <tr><td>D</td><td>14/16/17/18/19/20</td></tr> </table>	<input checked="" type="checkbox"/>	1	2	a	1.2	2.7	H	1.0/1.2/1.5/2.9	T	0.9/1/2/2.5/2.8/2.9/3.0	D	14/16/17/18/19/20	
<input checked="" type="checkbox"/>	1	2												
a	1.2	2.7												
H	1.0/1.2/1.5/2.9													
T	0.9/1/2/2.5/2.8/2.9/3.0													
D	14/16/17/18/19/20													