



SOUNDWELL®

http://soundwell-cn.com

# PT16 Series Slide Series Potentiometer



企业微信，扫码有惊喜



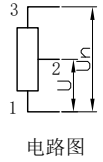
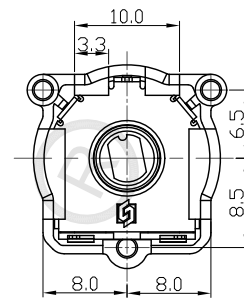
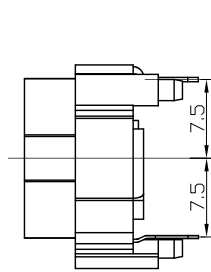
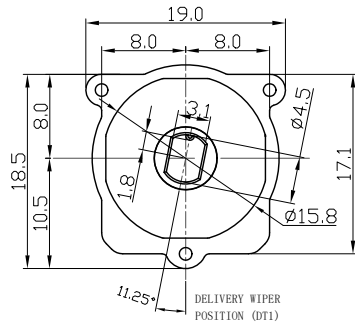
升威官网，发现更多产品

MODEL 品名

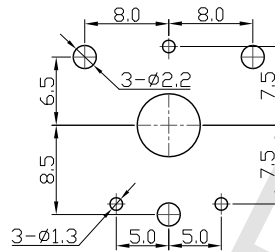
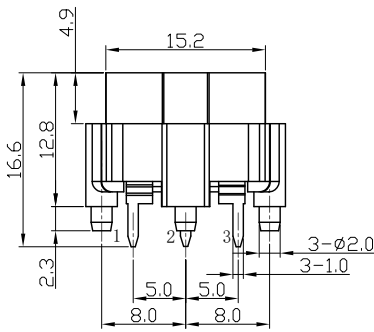
DIMENSIONS 尺寸

UNIT:mm

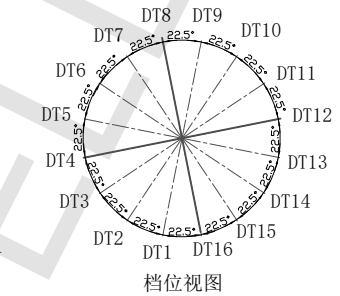
PT1601NOA0X-HA5-000



电路图



P. C. B. Mounting Detail



档位视图

### Resistance Linearity requirement

Total resistance  
总阻

DETENT  
定位数

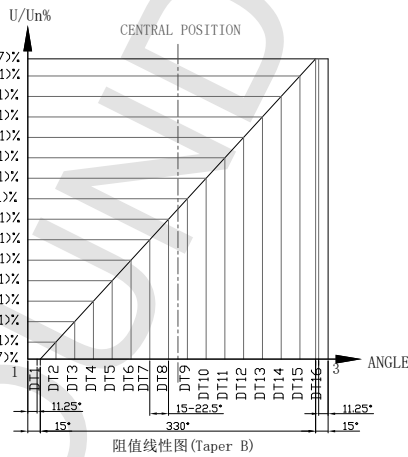
Rotational Direction  
旋转方向

Resistance law  
阻抗变化特性

10 K Ω

16

C. W  
(顺时针方向)



阻值线性图 (Taper B)

| DETENT | VALUE         |
|--------|---------------|
| 16     | (100-2.27)%   |
| 15     | (94.32±3.41)% |
| 14     | (87.5±3.41)%  |
| 13     | (80.68±3.41)% |
| 12     | (73.86±3.41)% |
| 11     | (67.05±3.41)% |
| 10     | (60.23±3.41)% |
| 9      | (53.41±3.41)% |
| 8      | (46.59±3.41)% |
| 7      | (39.77±3.41)% |
| 6      | (32.95±3.41)% |
| 5      | (26.14±3.41)% |
| 4      | (19.32±3.41)% |
| 3      | (12.5±3.41)%  |
| 2      | (5.68±3.41)%  |
| 1      | (0±2.27)%     |

阻值表